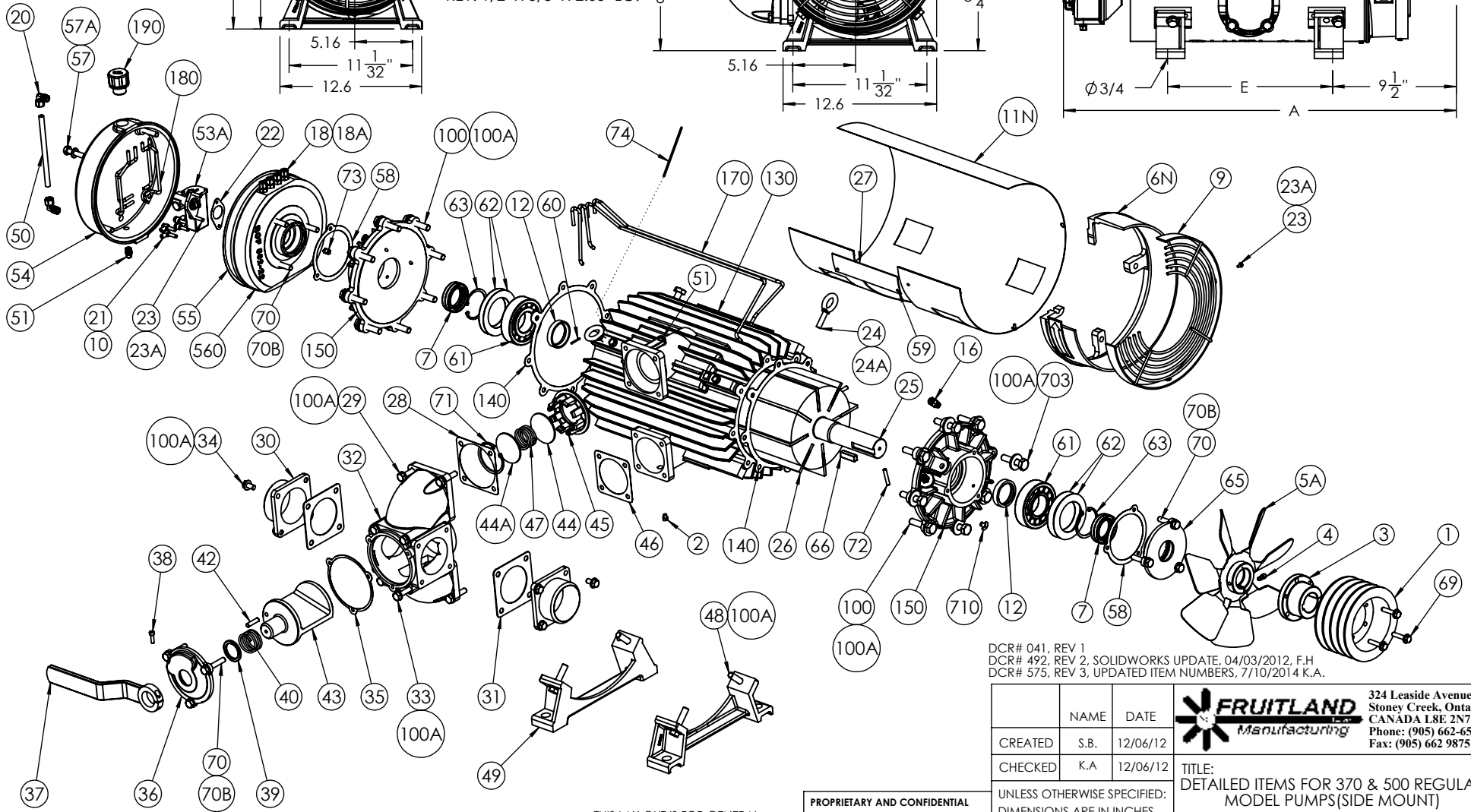
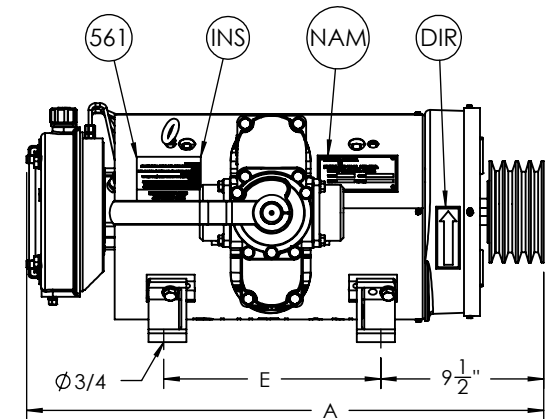
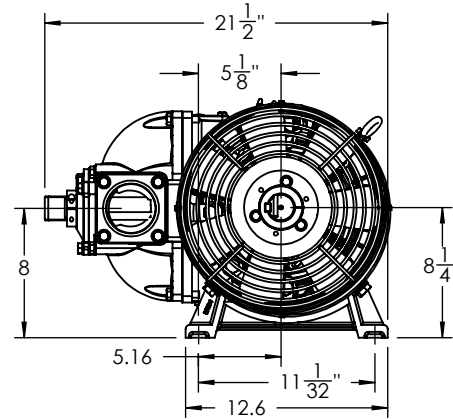
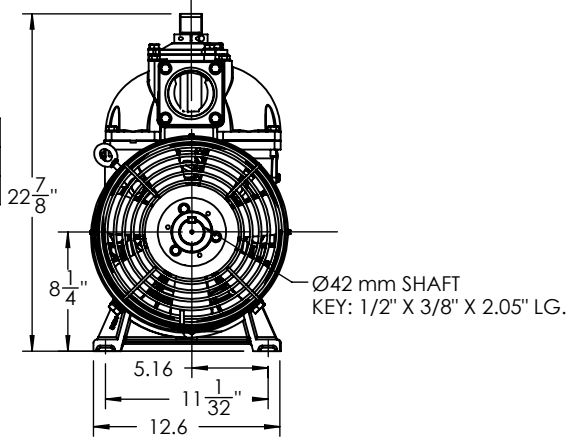


NAM : NAME PLATE
 DIR : DIRECTION TAG
 INS : INSTRUCTION TAG
 561 : POP RIVETS

TYPE	A	E
RCF370	28-1/2"	10-1/2"
RCF500	31-1/2"	13-1/2"

SIDE MOUNT MODEL SHOWN
 AVAILABLE IN CLOCKWISE R.H
 OR COUNTRCLOCKWISE L.H

RCF 370 & 500




DCR# 041, REV 1
 DCR# 492, REV 2, SOLIDWORKS UPDATE, 04/03/2012, F.H
 DCR# 575, REV 3, UPDATED ITEM NUMBERS, 7/10/2014 K.A.

IMPORTANT : WHEN ORDERING SPARE PARTS ALWAYS SPECIFY MODEL AND SERIAL NUMBR OF PUMP.

THIS LAY-OUT IS FOR GENERAL INFORMATION ONLY & MAY BE UPDATED BY FM AT ANYTIME WITHOUT NOTICE.

PROPRIETARY AND CONFIDENTIAL
 THE INFORMATION CONTAINED IN THIS DRAWING IS THE SOLE PROPERTY OF FRUITLAND MANUFACTURING. ANY REPRODUCTION IN PART OR AS A WHOLE WITHOUT THE WRITTEN PERMISSION OF FRUITLAND MFG. IS PROHIBITED.

NAME	DATE		324 Leaside Avenue Stoney Creek, Ontario, CANADA L8E 2N7 Phone: (905) 662-6552 Fax: (905) 662 9875	
CREATED	S.B.		12/06/12	TITLE: DETAILED ITEMS FOR 370 & 500 REGULAR MODEL PUMPS(SIDE MOUNT)
CHECKED	K.A.	12/06/12		
UNLESS OTHERWISE SPECIFIED: DIMENSIONS ARE IN INCHES TOLERANCES: FRACTIONAL OR .X = ±.015 .XX = ±.010 .XXX = ±.005				
DWG. NO.		RCF 370-78 RCF 500-78		REV 3
MATERIAL	--	SCALE: 1:48	WEIGHT:--	SHEET 1 OF 2