

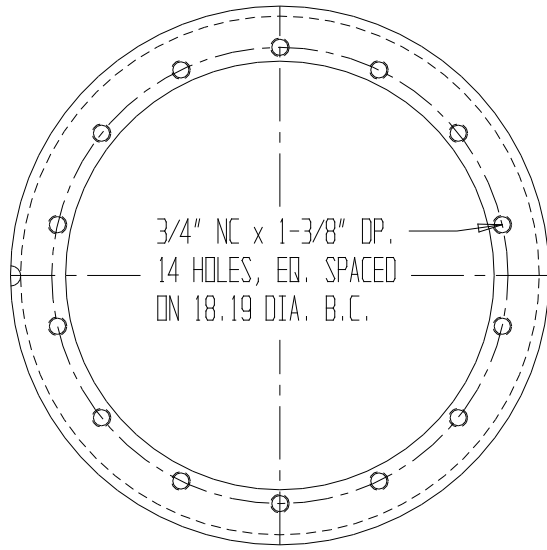
FTM RESERVES THE RIGHT TO MAKE CHANGES WITHOUT NOTICE

REVISIONS

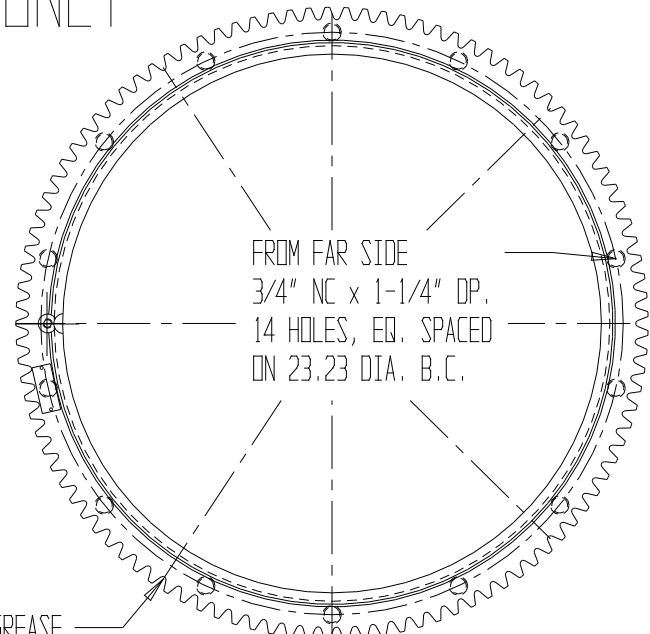
REV.	DCR#	DESCRIPTION	DATE	APPROVED
1	267	89 was 85	11/22/05	Hans

FOR GENERAL INFORMATION ONLY

MAX. RACEWAY VELOCITY 50 Ft/Min.



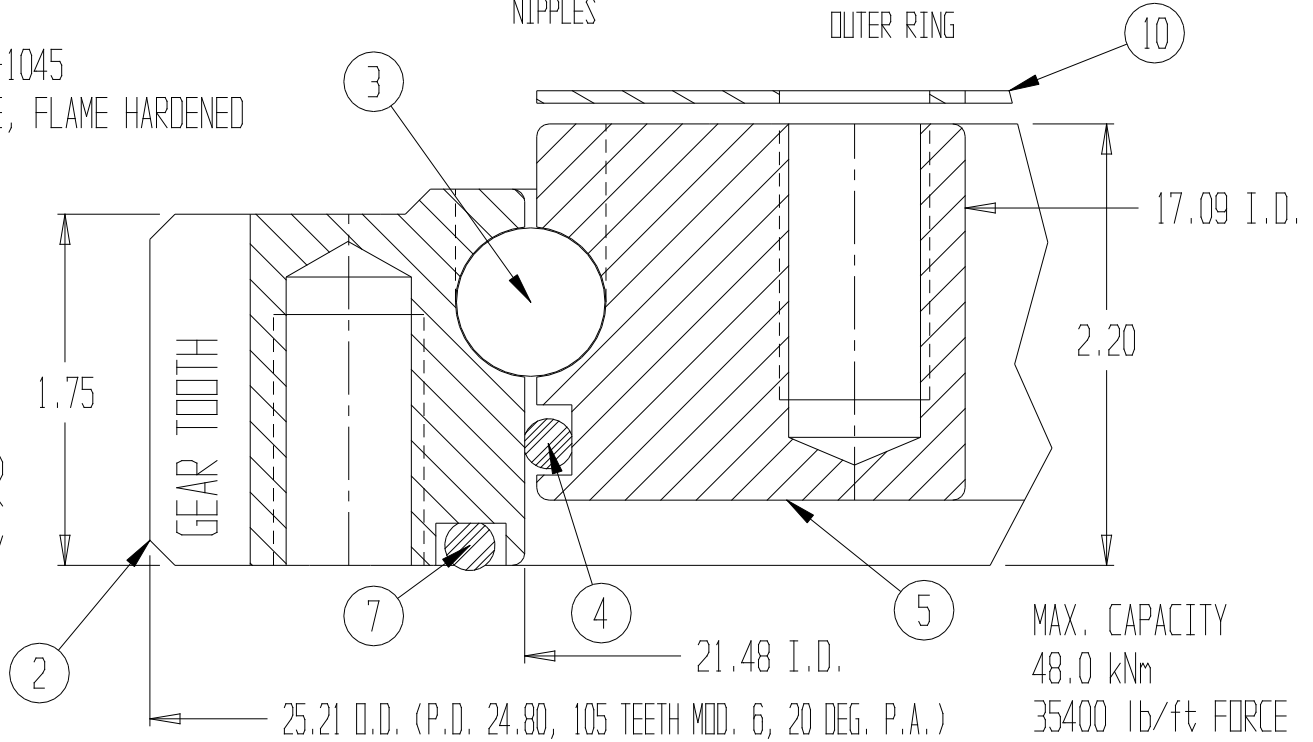
INNER RING



OUTER RING

MAT'L: C-1045
BALL RACE, FLAME HARDENED

CUSTOMER FAX COPY



ITEM#	DESCRIPTION	PART #	QTY
1	GREASE NIPPLE 1/8" NPT	BS8"-1	4
2	GEARED OUTER RING	BS17"G-2	1
3	BEARING BALLS (CHROMED ALLOY STEEL)	B 3/4"	89
4	"O"RING Buna N (.250 ACT. DIA SECT.)	BS17"-4	1
5	INNER RING (SEE DWG.# 17IR.RSB)	BS17"-5	1
7	BOTTOM "O"RING (.250 ACT. DIA SECT.)	BS17"G-7	1
9	3/8" NC X 5/8" LG SDC.FL.HD.SCREW	BS17"-9	1
10	GASKET (1/16" TH.) DWG.17IDGAS	17IDGAS	1

ASSEMBLY PART# BS17"G
USE GRADE 8 FASTENERS

FRUITLAND TOOL & MFG. 324 Leaside Ave. STONEY CREEK ONT. (905) 662-6552

TITLE: 17" GEARED ROTATING SEAL

DATE drawn: 01/15/01	by: JEFF	DWG.# 17G.CUC	REV. 1
DATE checked: 11/22/05	by: HANS		
Sheet: 1 of 1	Scale: FULL & 1/8	Customer: FRUITLAND TOOL & MFG.	Computer File#: 17G.CUC