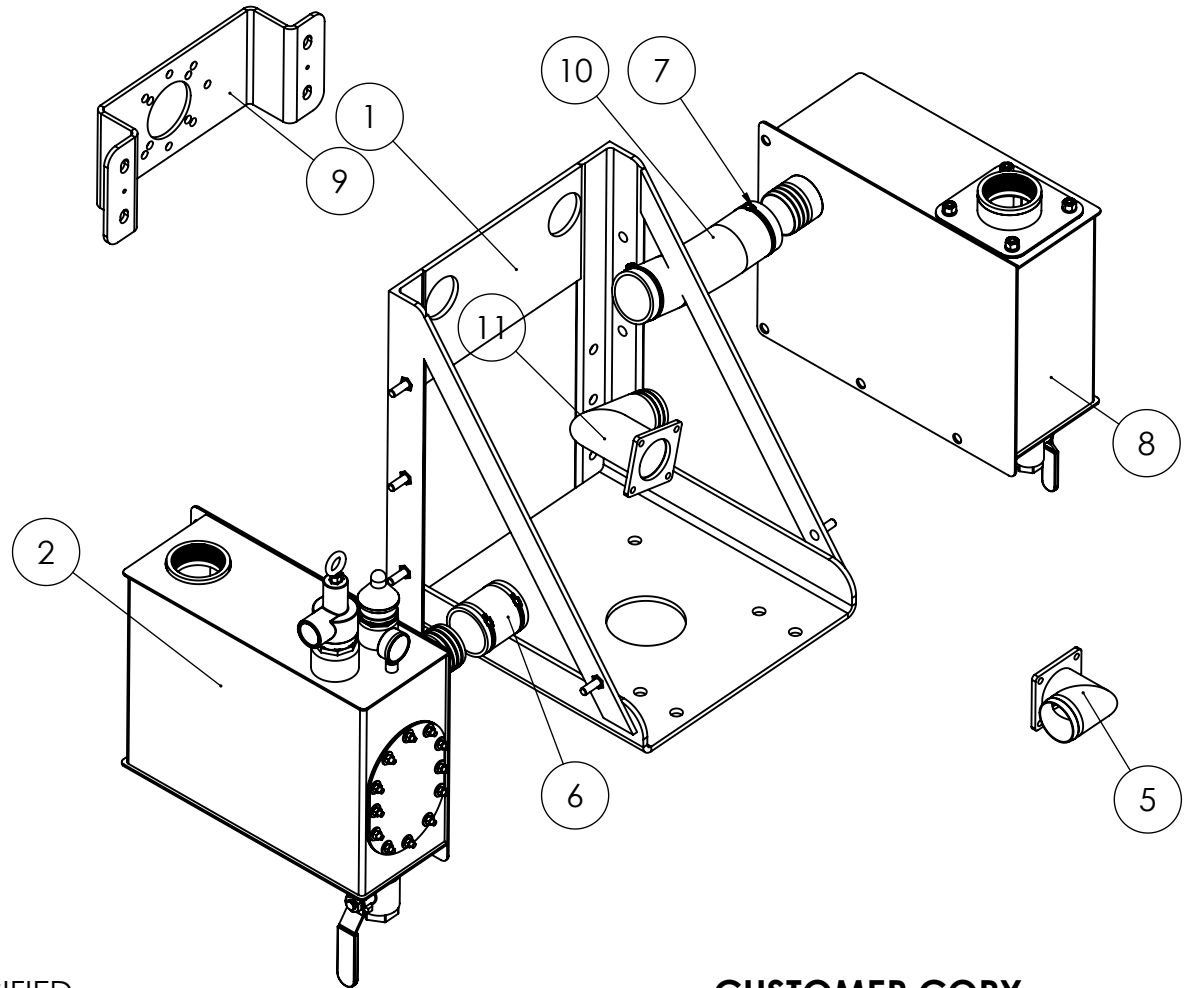


ITEM #	PART #	DESCRIPTION	QTY
1	RF500-S	PEDESTAL FRAME	1
2	RF500-S091C	SECONDARY SHUT-OFF	1
5	FAS09	FLANGE SECONDARY SHUT-OFF SIDE	1
6	FAS09-03	Ø 3" RUBBER HOSE FOR SECONDARY SIDE	1
7	FAM09-04	HOSE CLAMP W2-91-97	4
8	RF500-M09C	MUFFLER	1
9	HDM09	HYDRAULIC MOTOR MOUNT	1
10	FAM09-03	Ø 3" RUBBER HOSE FOR MUFFLER SIDE	1
11	FAM09	FLANGE MUFFLER SIDE	1

**PART # ELIM H-SM**



**NOTES:**

1. DRIVE COUPLINGS TO BE CUSTOMER SPECIFIED.
2. ALL FASTENERS TO BE SUPPLIED.

**CUSTOMER COPY**

	NAME	DATE	<b>FRUITLAND TOOL &amp; MFG.</b> 324 Leaside Ave., Stoney Creek Ontario, CANADA Phone: (905) 662-6552 Fax: (905) 662 9875	
DRAWN	K.A.	03-13-09		
CHECKED	W.D.	03-13-09		
UNLESS OTHERWISE SPECIFIED: DIMENSIONS ARE IN INCHES TOLERANCES: FRACTIONAL OR .X = ±.015 .XX = ±.010 .XXX = ±.005			TITLE: <b>ELIMINATOR H PACKAGE</b>	
MATERIAL			DWG. NO. <b>ELIM H-SM</b>	
			REV <b>2</b>	
			SCALE: 1:12 WEIGHT:--	

**PROPRIETARY AND CONFIDENTIAL**  
 THE INFORMATION CONTAINED IN THIS DRAWING IS THE SOLE PROPERTY OF **FRUITLAND TOOL AND MFG.** ANY REPRODUCTION IN PART OR AS A WHOLE WITHOUT THE WRITTEN PERMISSION OF FRUITLAND TOOL AND MFG. IS PROHIBITED.

REV 1 DCR# 368  
 REV 2 DCR# 410, 5/02/11 KA